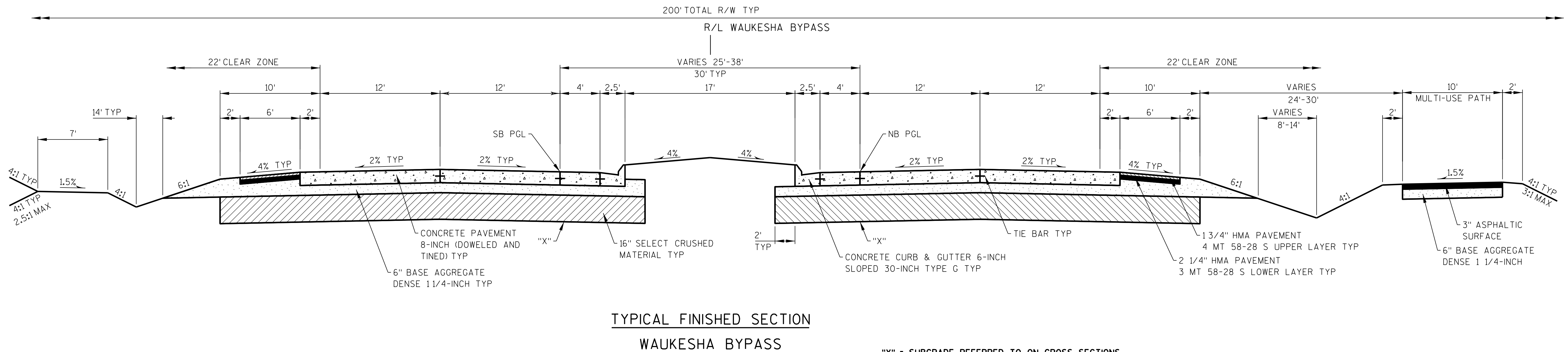
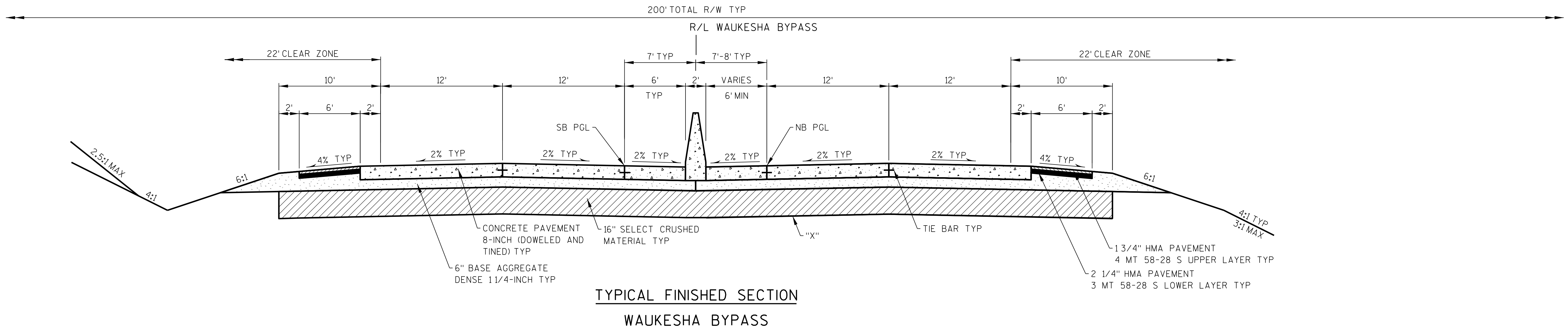
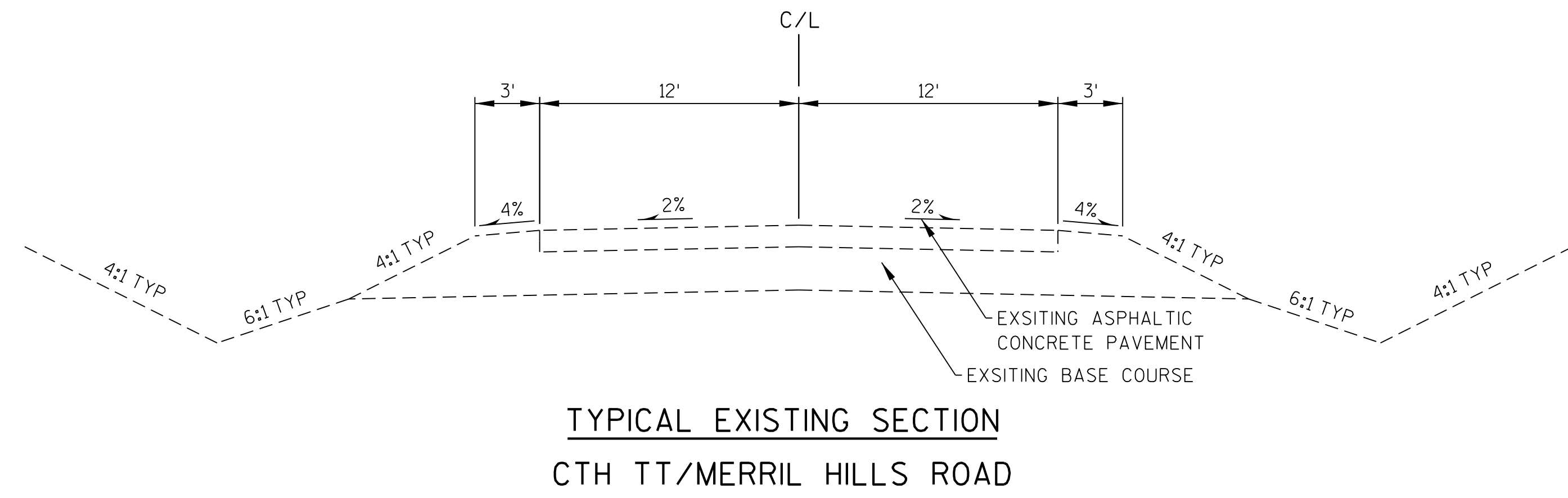


# WAUKESHA BYPASS WisDOT PROJECT

## STATE ID 2788-00-71

### STA. 100+36.99 - STA. 273+75.00

R/W WIDTH VARIES 66' - 200'



"X" = SUBGRADE REFERRED TO ON CROSS SECTIONS