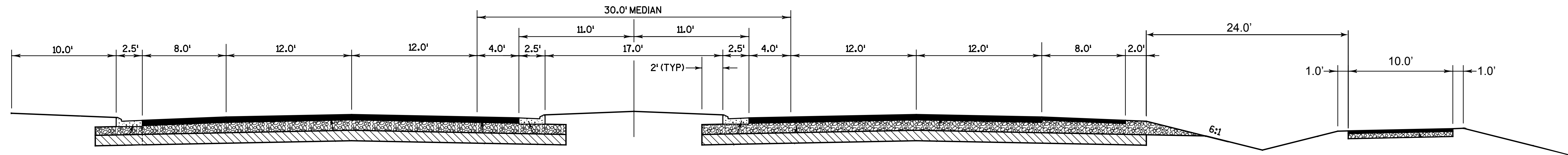
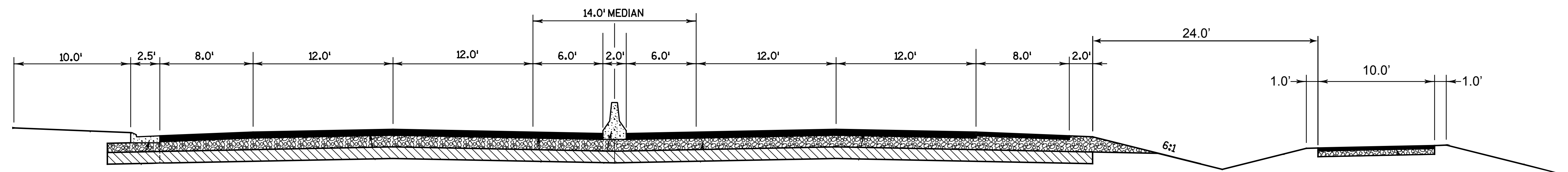


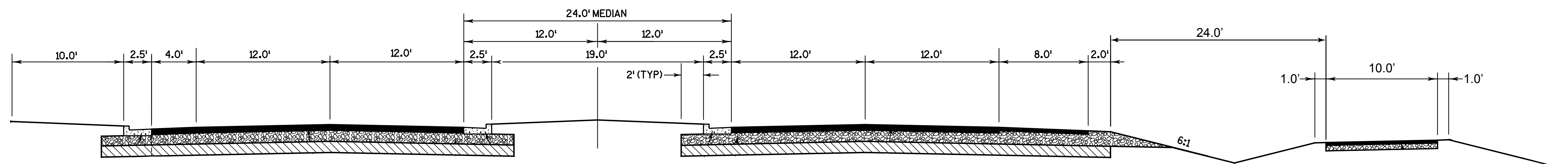
# 4-Lane Alternative Typical Section



Typical Section with Full-Width Grass Median – 45 mph



Typical Section with Concrete Median Barrier (through Pebble Creek area) – 45 mph



Typical Section with Full-Width Grass Median (north of Northview) – <40 mph